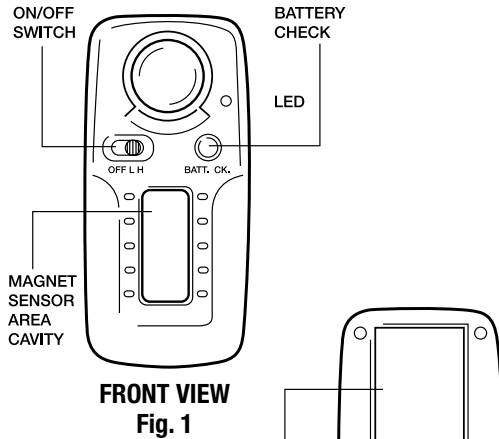


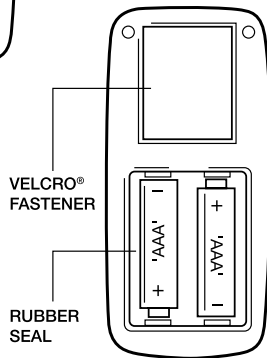
PATIENT ALERT MAGNET ALARM W/HOLDER

Model # MAG-5 • Made in PRC

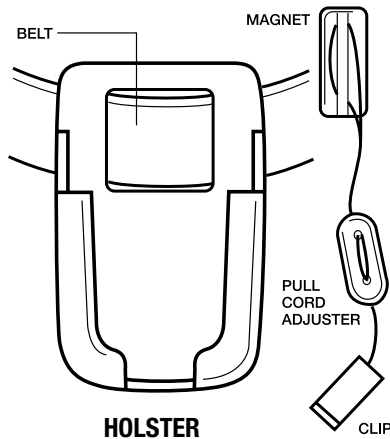
The **Secure**[®] Patient Alert Magnet Alarm is an effective fall management alarm to alert caregivers to individuals making an unwanted bed or chair exit. When the magnet cord clip is inconspicuously attached to an individual and the individual attempts an unwanted bed or chair exit the magnet will be removed from the alarm. The alarm will then sound to signal for the caregiver's immediate assistance.



FRONT VIEW
Fig. 1



BACK VIEW
Fig. 2



HOLSTER
Fig. 3



ACCESSORY
Fig. 4

OPERATING INSTRUCTIONS

Battery Installation Instructions:

1. The alarm uses 2x AAA batteries (included) (See Fig. 2).
2. To install batteries:
 - a. Remove the two screws on the battery cover. Take special care not to remove the rubber seal.
 - b. Insert 2x AAA batteries into battery compartment (See Fig. 2). When inserting batteries, observe the battery type and polarity (+/-) marking on the unit. Do not mix battery types.
 - c. Replace battery cover and secure with two screws. Make sure rubber seal is properly positioned. Do not over tighten the screws (See Fig. 2).

ALARM SET-UP INSTRUCTIONS:

1. The Patient Alert is supplied with a holder & belt to attach the alarm to a wheel chair or bed. To use belt to attach holder to a wheelchair or bed insert the belt in the holder. (See Figure 3).
2. A Velcro[®] strip is also supplied for easy attachment of the alarm to any flat surface like a headboard. (See Fig. 4).
3. Alarm may be mounted to a wall or other surface using the included mounting hardware.
4. Place the magnet attached to the end of the cord into the Magnet Sensor Area Cavity on front of alarm. Turn on the unit by sliding the ON/OFF switch to either "LO" (for low sound emission) or "HI" (for high sound emission). (See Fig. 1).

PLEASE NOTE!
Do not use this magnet alarm for a resident or patient with a pacemaker or implantable cardioverter-defibrillator (ICD).
Thank you.

5. Use the clip at the end of the magnet cord to attach the cord to the individual's clothing in the back middle shoulder area. Ensure the cord and clip are out of reach and sight of user. Use the Cord Adjuster to properly adjust the cord length. (See Fig. 3).
6. Pulling on the cord will cause the Magnet to release from the alarm and sound the alarm. Alarm will sound in cycles of approximately 3 seconds on and 2 seconds off to preserve batteries and to minimize annoyance to the patient.
7. Stop the alarm by either replacing the magnet back into the Magnet Sensor Area Cavity or turn the alarm off using the On/Off switch. (See Fig. 1).

Battery Testing: ALWAYS Test Before Each Use

1. Turn on the unit. Remove the Magnet for an audio verification of alarm sound, or,
2. Press the Battery Test Button. If the LED light does not come on, immediately change the batteries.

WARNING: ALWAYS MAKE CERTAIN CORD IS OUT OF REACH AND OUT OF SIGHT OF USER.

12 MONTH LIMITED WARRANTY

Personal Safety Corporation warrants this product to be free from factory defects in materials and workmanship for a period of one year from date of purchase. Void if the product is misused, abused, or punctured. No warranty or responsibility of use expressed or implied.

Please see our complete line of **Secure**[®] fall/wandering prevention & patient safety products at www.SecureSafetySolutions.com

Highest Quality...Lowest Prices...Guaranteed!

Personal Safety Corporation • Hiawatha, Iowa 52233 • 800.373.2873

