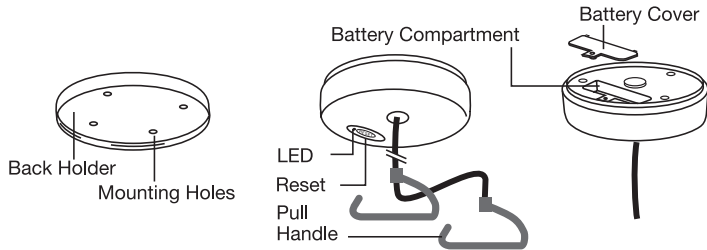


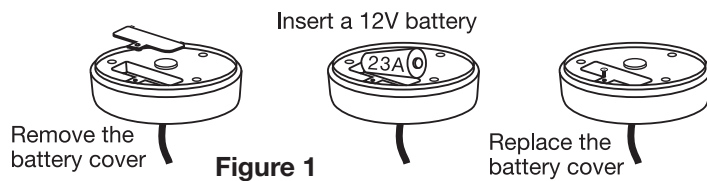
WIRELESS TOILET PULL CORD ALERT

Model #: CAS-TPC • Made in PRC

PARTS AND FUNCTION



BATTERY INSTALLATION



CODE PAIRING & MELODY SELECTION

The CAS-TPC pull cord alert must be paired with the CAS-PGR Wireless Caregiver Pager and/or CAS-WCR Wireless Caregiver Receiver before using. Always test the system before each use.

Step 1: Insert battery and turn the sensor on (Figure 1).

Step 2: Insert batteries into the CAS-PGR wireless pager (Figure 2) and/or CAS-WCR wireless receiver (Figure 3).

Step 3: Enter pager and/or receiver pairing mode by pressing and holding the zone select button ● for a few seconds until zone light "1" begins to flash.

Step 4: Press the zone select button ● again to switch to the zone you wish to pair with. Press melody selector 🎵 to scroll through the melodies. Once you hear your preferred melody, do not press again as it is now selected.

Step 5: Once the zone and melody has been selected, pair the pull cord alert by pulling down once on the handle or cord. Press the ● button to exit pairing mode, the system is now ready to use.

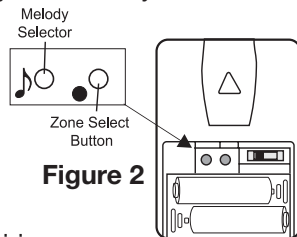


Figure 2

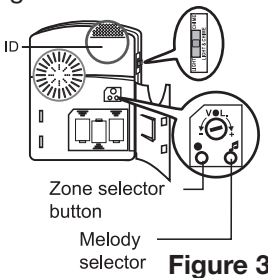
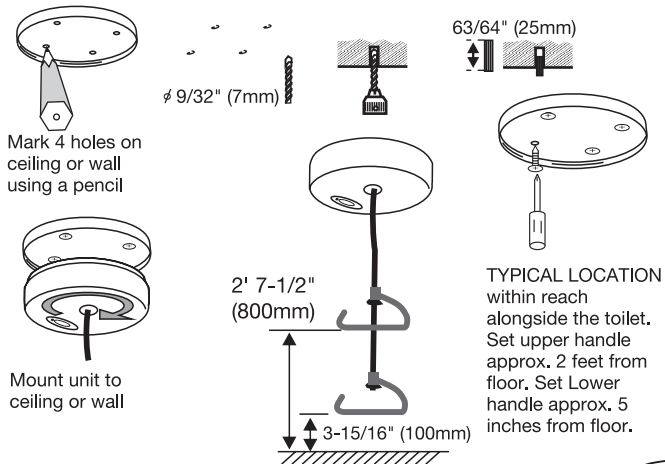


Figure 3

INSTALLATION

Requires an electric drill to drill holes in the wall to mount the pull cord alert. Mounting hardware included.



TEST THE SENSOR

Test the toilet pull after installation. The LED light on the pull cord alert will light up for 1.2 seconds to indicate it is transmitting to the caregiver pager and/or receiver. The unit will keep transmitting every second until the handle is released.



ONE YEAR LIMITED WARRANTY

Personal Safety Corporation warrants this product to be free from factory defects and workmanship for a period of one year from date of purchase. Warranty is void if this product is misused, abused or damaged. No warranty or responsibility of use expressed or implied.

FCC STATEMENT: THIS EQUIPMENT HAS BEEN TESTED AND FOUND TO COMPLY WITH THE LIMITS FOR A CLASS B DIGITAL DEVICE, PURSUANT TO PART 15 OF THE FCC RULES. THESE LIMITS ARE DESIGNED TO PROVIDE REASONABLE PROTECTION AGAINST HARMFUL INTERFERENCE IN A RESIDENTIAL INSTALLATION. THIS EQUIPMENT GENERATES, USES AND CAN RADIATE RADIO FREQUENCY ENERGY AND, IF NOT INSTALLED AND USED IN ACCORDANCE WITH THE INSTRUCTIONS, MAY CAUSE HARMFUL INTERFERENCE TO RADIO COMMUNICATIONS.

However, there is no guarantee that interference will not occur in a particular installation. If this equipment does cause harmful interference to radio or television reception, which can be determined by turning the equipment off and on, the user is encouraged to try to correct the interference by one or more of the following measures:

- Reorient or relocate the receiving antenna.
- Increase the separation between the equipment and receiver.
- Connect the equipment to an outlet on a circuit different from that to which the receiver is connected.

This device complies with part 15 of the FCC rules. Operation is subject to the following two conditions: (1) This device may not cause harmful interference, and (2) this device must accept any interference received, including interference that may cause undesired operation.

Note: Modifications to this product will void the user's authority to operate this equipment.



Please see our complete line of Secure[®] fall/wandering prevention & patient safety products at www.SecureSafetySolutions.com

Highest Quality...Lowest Prices...Guaranteed!

Personal Safety Corporation • Hiawatha, Iowa 52233 • 800.373.2873